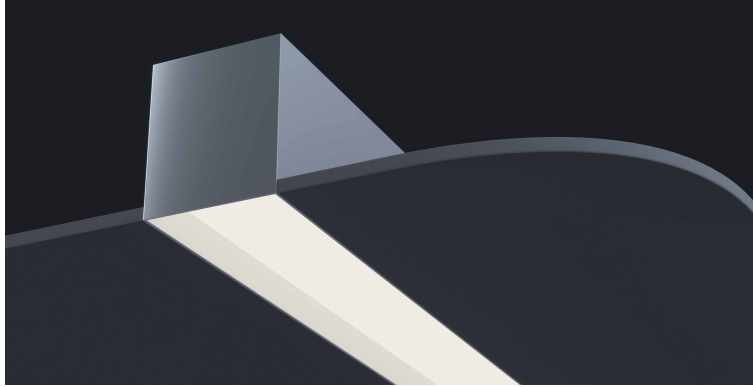


# LRK4 LED RG

DATE	PROJECT	FIRM	TYPE
------	---------	------	------



Linear, recessed, architectural luminaire with a regressed lens. For use in indoor applications where an LED luminaire with small profile providing continuous light is required. Suitable for grid system and drywall installation as well as custom mounting requests.

### FEATURES

- Available In Custom Lengths & Long Runs To 1/16" Accuracy
- Corners & Patterns Available (See Page 3)
- Optional Wall Wash Reflector
- Damp Location Rated
- CRI 90+ Standard
- 5 Year, 50,000 Hour Fixture Warranty
- 2700K, 3000K, 3500K, 4000K & 5000K Color Temperatures Available
- Enlighted/Wattstopper Sensors Available

**APPLICATIONS** Offices, Lobbies, Retail Stores, Classrooms, Reception Areas & Corridors

**CONSTRUCTION** Extruded Aluminum Housing and Steel End Caps With 1" Regressed Lens. Formed Steel Gear Tray

**OPTICS** Extruded High Transmission Satin Acrylic, Semi-Recessed Lens With No LED Imaging

**WARRANTY** 5 Year Limited Warranty (Covers Standard Components)

**FINISH** Standard Powder-Coated White

**FIXTURE RATINGS & CERTIFICATIONS** Union Made ETL Listed Made In The USA Damp Location Rated



**ELECTRICAL** Integral Driver With 0-10V 10% Dimming Standard. Several Driver Options Available. See Below For Lutron Dimming Information

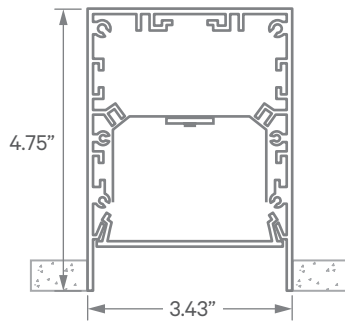
2-Wire Forward Phase; Hi-Lume 1% Dimming, Only Available For 120V ..... LTEA

3-Wire EcoSystem; Hi-lume 1% Dimming ..... L3DA

Digital EcoSystem; Hi-lume 1% Dimming, 'Soft-on Fade-to-black' (Required for Daylighting) ..... LDE1

5 Series EcoSystem; 5% Dimming ..... LDE5

### EXTRUSION DIMENSIONS



### LED SYSTEM INFORMATION

	Nominal System Watts	Nominal Delivered Lumens	Nominal Efficacy
Standard (LTG1)	7.25 W/ft	625 Lm/ft	86 Lm/W
Low (LTG2)	5 W/ft	430 Lm/ft	86 Lm/W
High (LTG3)	8.75 W/ft	715 Lm/ft	81 Lm/W

Based on a 3500K luminaire using one driver. Please consult factory for custom lumen outputs & wattage.

**ORDERING**

1	2	3	4	5	6	7	8	9	10	11
---	---	---	---	---	---	---	---	---	----	----

<b>1 - FIXTURE ID</b> LRK4 LED RG	<b>2 - LENGTH</b> 2 - 2 ft 4 - 4 ft 8 - 8 ft x'-x" - Custom (specify length) **Patterns available, consult factory	<b>3 - COLOR TEMP</b> 27 - 2700K/90 CRI 30 - 3000K/90 CRI 35 - 3500K/90 CRI 40 - 4000K/90 CRI 50 - 5000K/90 CRI TW* - Tunable White RGBW* - RGB + 3000K *Must use DMX Driver (Remote)	<b>4 - LED SYSTEM</b> LTG1 - Standard LTG2 - Low LTG3 - High C - Custom Output (ie-C550Lm/ft)	<b>5 - VOLTAGE</b> UNV - Universal (120/277V)	<b>6 - DRIVER</b> DB - Standard 10% Dimming (0-10V) DB1% - 1% Dimming (0-10V) DB.01% - .01% Dimming (0-10V) LTEA* - Lutron 2-wire 1% Dimming L3DA* - Lutron 3-wire 1% Dimming LDE1* - Lutron Digital EcoSystem LDE5* - 5 Series EcoSystem; 5% Dimming *Refer to 'Electrical' Information Above DMX - For Color Tuning and RGBW	<b>7 - FINISH</b> W - White (Standard)	<b>8 - MOUNTING</b> T - 9/16" Tee Grid TZ - 9/16" Tech Zone T15 - 15/16" Tee Grid SG - Slot Grid/Interlude F - Flange NT - No Trim/Spackle Flange	<b>9 - CONTROL</b> EIS - Integral Sensor by Enlighted WIS - Integral Sensor by Wattstopper	<b>10 - OPTICS</b> SD - Standard Diffuser	<b>11 - OPTIONS</b> WH - Whips CP - Chicago Plenum EM 120V - Emergency Pack EM 277V - Emergency Pack
--------------------------------------	-----------------------------------------------------------------------------------------------------------------------------------	---------------------------------------------------------------------------------------------------------------------------------------------------------------------------------------------------------------	-----------------------------------------------------------------------------------------------------------	--------------------------------------------------	-----------------------------------------------------------------------------------------------------------------------------------------------------------------------------------------------------------------------------------------------------------------------------------------------------------------------------------------------------------	-------------------------------------------	---------------------------------------------------------------------------------------------------------------------------------------------------------------------	--------------------------------------------------------------------------------------------------	----------------------------------------------	------------------------------------------------------------------------------------------------------------------

DATE

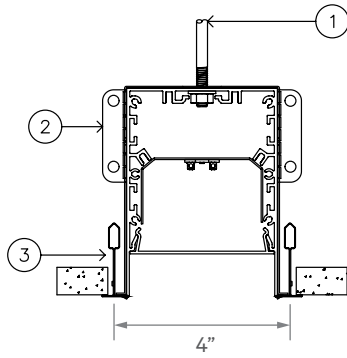
PROJECT

FIRM

TYPE

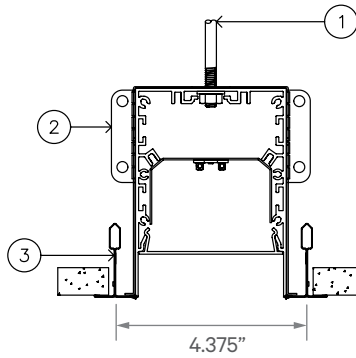
## MOUNTING OPTIONS

T/TZ - 9/16" Tee Grid/Tech Zone



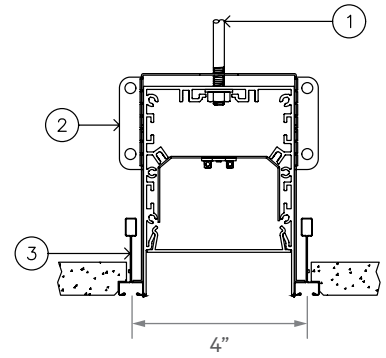
- 1 - Threaded Rod (not supplied)
- 2 - Tee Grid Bracket
- 3 - Tee Grid

T15 - 15/16" Tee Grid



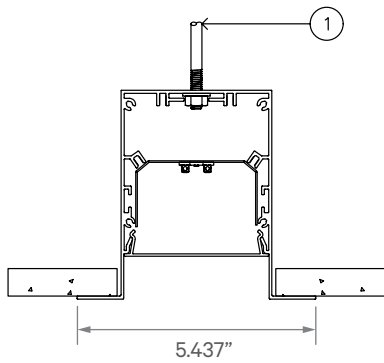
- 1 - Threaded Rod (not supplied)
- 2 - Tee Grid Bracket
- 3 - Tee Grid

SG - Slot Grid/Interlude



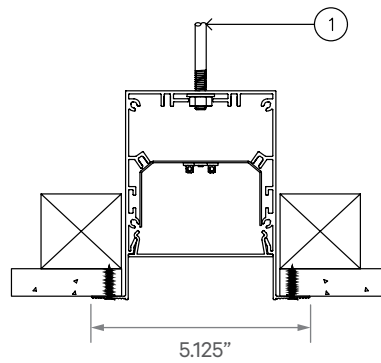
- 1 - Threaded Rod (not supplied)
- 2 - Slot Grid Bracket
- 3 - Slot Grid

F - Flange



- 1 - Threaded Rod (not supplied)

NT - No Trim/Spackle Flange



- 1 - Threaded Rod (not supplied)

DATE

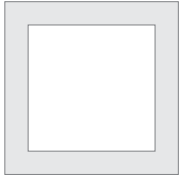
PROJECT

FIRM

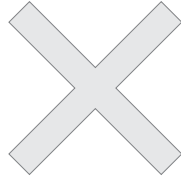
TYPE

## CORNERS & PATTERNS

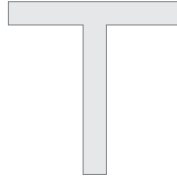
Available with illuminated corners, angles, and custom patterns. **Must consult factory for custom corners and patterns.**



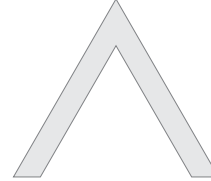
Square Patterns



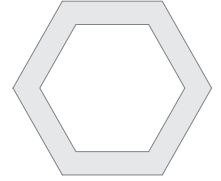
X Patterns



T Patterns

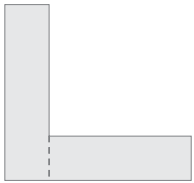


Custom Angles

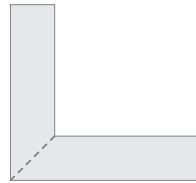


Custom Patterns

## LENS CUT OPTIONS



Straight-cut

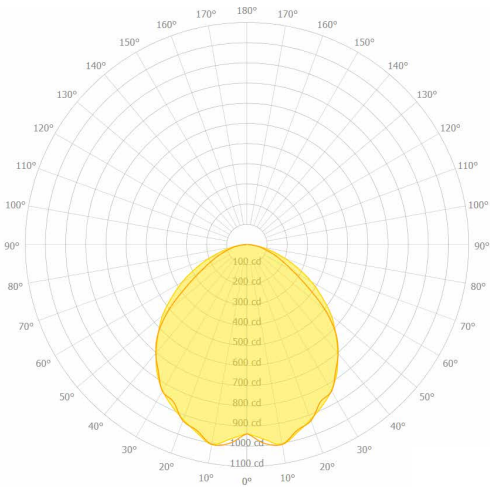


Mitered Angle

**NOTE:** Straight-Cut is standard configuration, Mitered Angle is optional and must be specified.

DATE \_\_\_\_\_ PROJECT \_\_\_\_\_ FIRM \_\_\_\_\_ TYPE \_\_\_\_\_

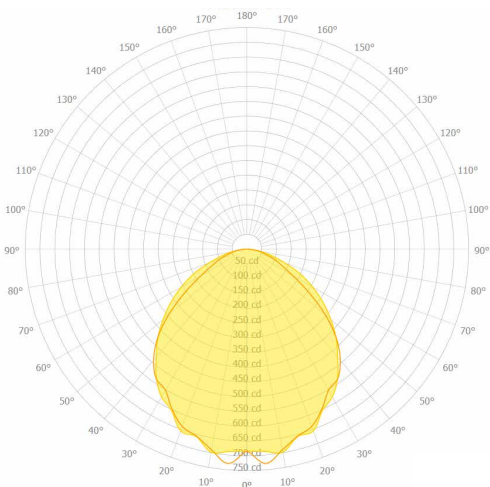
## PHOTOMETRICS



**LRK4 LED RG 4FT LTG1 3500K**  
 DELIVERED LUMENS: 2,497Lm  
 TOTAL WATTS: 29W  
 EFFICACY: 86 Lumens/Watt

### ZONAL LUMEN SUMMARY

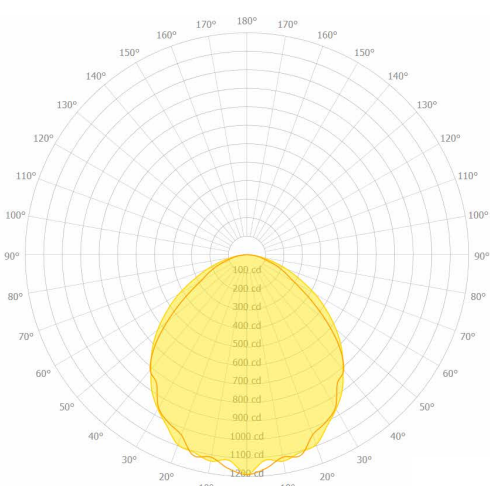
ZONE	LUMENS	% LAMP	% FIXTURE
0.00 - 30.00	771.71	20.32	30.90
0.00 - 40.00	1246.03	32.80	49.90
0.00 - 60.00	2110.13	55.55	84.50
0.00 - 90.00	2497.30	65.74	100.00
90.00 - 120.00	0.56	0.01	0.02
90.00 - 150.00	0.56	0.01	0.02
90.00 - 180.00	0.56	0.01	0.02
0.00 - 180.00	2497.30	65.74	100.00



**LRK4 LED RG 4FT LTG2 3500K**  
 DELIVERED LUMENS: 1,715Lm  
 TOTAL WATTS: 20W  
 EFFICACY: 86 Lumens/Watt

### ZONAL LUMEN SUMMARY

ZONE	LUMENS	% LAMP	% FIXTURE
0.00 - 30.00	531.68	20.36	30.99
0.00 - 40.00	858.12	32.85	50.02
0.00 - 60.00	1449.93	55.51	84.51
0.00 - 90.00	1715.71	65.69	100.00
90.00 - 120.00	0.36	0.01	0.02
90.00 - 150.00	0.36	0.01	0.02
90.00 - 180.00	0.36	0.01	0.02
0.00 - 180.00	1715.71	65.69	100.00



**LRK4 LED RG 4FT LTG3 3500K**  
 DELIVERED LUMENS: 2,861Lm  
 TOTAL WATTS: 35W  
 EFFICACY: 81 Lumens/Watt

### ZONAL LUMEN SUMMARY

ZONE	LUMENS	% LAMP	% FIXTURE
0.00 - 30.00	885.74	20.35	30.95
0.00 - 40.00	1430.00	32.85	49.97
0.00 - 60.00	2418.21	55.55	84.50
0.00 - 90.00	2861.74	65.74	100.00
90.00 - 120.00	0.64	0.01	0.02
90.00 - 150.00	0.64	0.01	0.02
90.00 - 180.00	0.64	0.01	0.02
0.00 - 180.00	2861.74	65.74	100.00