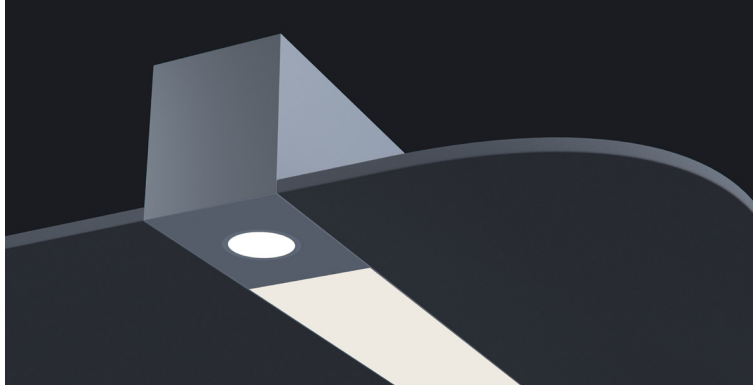


LRK4 LED MR



DATE	PROJECT	FIRM	TYPE
------	---------	------	------



Linear, recessed, architectural luminaire with accent downlighting. Suitable for grid systems and drywall installation as well as custom mounting requests.

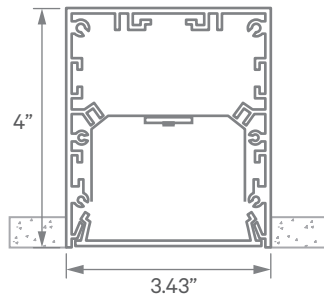
FEATURES

- Available In Custom Lengths & Long Runs To 1/16" Accuracy
- Corners & Patterns Available (See Page 3)
- Optional Wall Wash Reflector
- Damp Location Rated
- CRI 90+ Standard
- 5 Year, 50,000 Hour Fixture Warranty
- 2700K, 3000K, 3500K, 4000K & 5000K Color Temperatures Available
- Enlighted/Wattstopper Sensors Available

APPLICATIONS	Offices, Lobbies, Retail Stores, Classrooms, Reception Areas & Corridors			
CONSTRUCTION	Extruded Aluminum Housing and Steel End Caps. Formed Steel Gear Tray	OPTICS	Extruded High Transmission Satin Acrylic, Semi-Recessed Lens With No LED Imaging	
WARRANTY	5 Year Limited Warranty (Covers Standard Components)		FINISH	Standard Powder-Coated White
FIXTURE RATINGS & CERTIFICATIONS	Union Made, DLC Listed, ETL Listed	Made In The USA Damp Location Rated		

ELECTRICAL	Integral Driver With 0-10V 10% Dimming Standard. Several Driver Options Available. See Below For Lutron Dimming Information		
	2-Wire Forward Phase; Hi-Lume 1% Dimming, Only Available For 120V		LTEA
	3-Wire EcoSystem; Hi-lume 1% Dimming		L3DA
	Digital EcoSystem; Hi-lume 1% Dimming, 'Soft-on Fade-to-black' (Required for Daylighting)		LDE1
	5 Series EcoSystem; 5% Dimming		LDE5

EXTRUSION DIMENSIONS



LED SYSTEM INFORMATION

	Nominal System Watts	Nominal Delivered Lumens	Nominal Efficacy
Standard (LTG1)	40 W	3,050 Lm	76 Lm/W
Low (LTG2)	33W	2,525 Lm	77 Lm/W
High (LTG3)	48W	3,500 Lm	73 Lm/W

Based on a 4ft, 3500K luminaire using one driver and (2) standard 10° MR16 lamps. Output varies depending on beam spread. Additional photometric information available. Please consult factory for custom lumen outputs & wattage.

ORDERING	1	2	3	4	5	6	7	8	9	10	11	12
----------	---	---	---	---	---	---	---	---	---	----	----	----

1 - FIXTURE ID LRK4 LED MR	2 - LENGTH 2 - 2 ft 4 - 4 ft 8 - 8 ft x'-x" - Custom (specify length) **Patterns available, consult factory	3 - COLOR TEMP 27 - 2700K/90 CRI 30 - 3000K/90 CRI 35 - 3500K/90 CRI 40 - 4000K/90 CRI 50 - 5000K/90 CRI TW* - Tunable White RGBW* - RGB + 3000K *Must use DMX Driver (Remote)	4 - LED SYSTEM LTG1 - Standard LTG2 - Low LTG3 - High C - Custom Output (ie-C550Lm/ft)	5 - VOLTAGE UNV - Universal (120/277V)	6 - DRIVER DB - Standard 10% Dimming (0-10V) DB1% - 1% Dimming (0-10V) DB.01% - .01% Dimming (0-10V) LTEA* - Lutron 2-wire 1% Dimming L3DA* - Lutron 3-wire 1% Dimming LDE1* - Lutron Digital EcoSystem LDE5* - EcoSystem; 5% Dimming DMX - For Color Tuning and RGBW	7 - FINISH W - White (Standard) CC - Custom Color (provide RAL#)
--------------------------------------	---	---	---	--	--	---

*Refer to 'Electrical' Information Above

8 - MOUNTING AC - Air Craft Cable (50" Standard) SM - Surface Mount WM - Wall Mount	9 - CONTROL EIS - Integral Sensor by Enlighted WIS - Integral Sensor by Wattstopper	10 - OPTICS SD - Standard Diffuser	11 - OPTIONS WW - Wall Wash Reflector EM 120V - Emergency Pack EM 277V - Emergency Pack	12 - ACCENT LIGHTING (See Page 3) 10° STD - 10° Standard 25° CRC - 25° Circular 36° CRC - 36° Circular 60° CRC - 60° Circular 25° LNR - 10° x 25° Linear 36° LNR - 10° x 36° Linear 60° LNR - 10° x 60° Linear HEX - Hexcell Louver (can add to any beam spread)
---	--	--	---	---

DATE

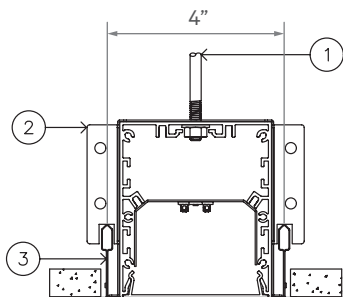
PROJECT

FIRM

TYPE

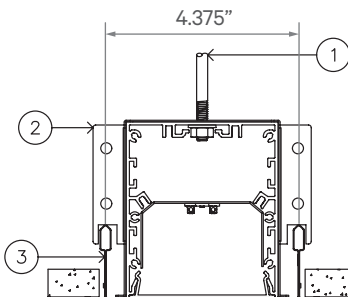
MOUNTING OPTIONS

T/TZ - 9/16" Tee Grid/Tech Zone



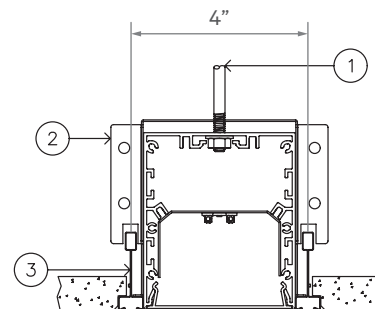
- 1 - Threaded Rod (not supplied)
- 2 - Tee Grid Bracket
- 3 - Tee Grid

T15 - 15/16" Tee Grid



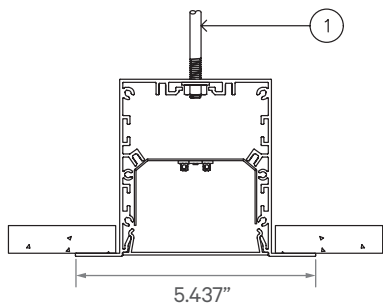
- 1 - Threaded Rod (not supplied)
- 2 - Tee Grid Bracket
- 3 - Tee Grid

SG - Slot Grid/Interlude



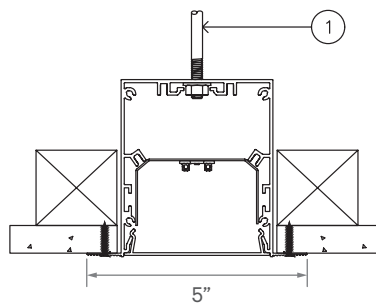
- 1 - Threaded Rod (not supplied)
- 2 - Slot Grid Bracket
- 3 - Slot Grid

F - Flange



- 1 - Threaded Rod (not supplied)

NT - No Trim/Spackle Flange



- 1 - Threaded Rod (not supplied)

DATE

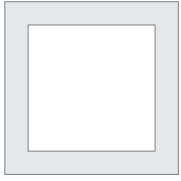
PROJECT

FIRM

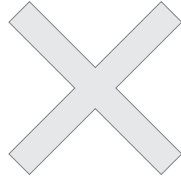
TYPE

CORNERS & PATTERNS

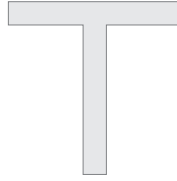
Available with illuminated corners, angles, and custom patterns. **Must consult factory for custom corners and patterns.**



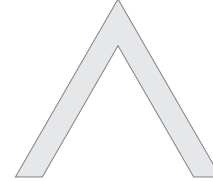
Square Patterns



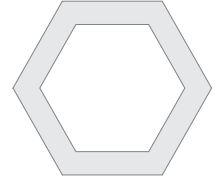
X Patterns



T Patterns



Custom Angles

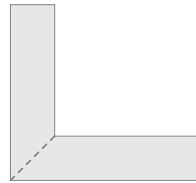


Custom Patterns

LENS CUT OPTIONS



Straight-cut



Mitered Angle

NOTE: Straight-Cut is standard configuration, Mitered Angle is optional and must be specified.

DATE	PROJECT	FIRM	TYPE
------	---------	------	------

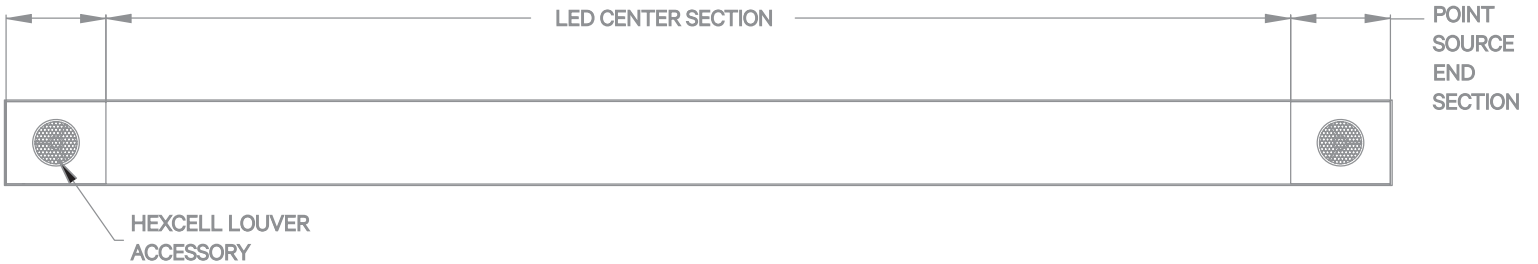
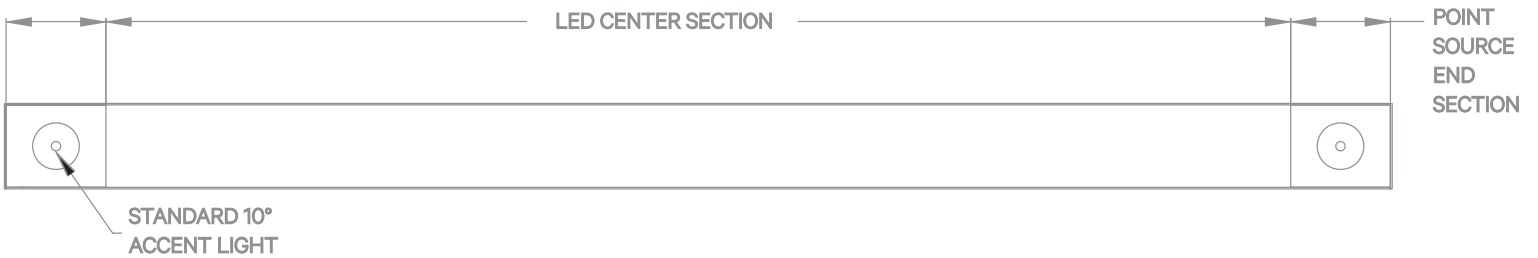
ACCENT DOWNLIGHT INFORMATION

SORAA MR16, 95CRI lamps provided with optional filters for flexible beam spread. Please note that when choosing 3500k color temperature a 4000k lamp with color correcting filter will be supplied.

OPTIONAL BEAM SPREADS AND FILTERS

- 10° Standard Lens
- 25° Circular Beam Spread*
- 36° Circular Beam Spread*
- 60° Circular Beam Spread*
- 10° x 25° Linear Beam Spread*
- 10° x 36° Linear Beam Spread*
- 10° x 60° Linear Beam Spread*
- Hexcell Louver for Reduced Glare (can be added to any beam spread)*

*Standard 10° SORAA lamp supplied with specially designed snap-in filter to create requested beam spread.



Please Note: On an individual fixture accent lights are placed on either end of the unit. For continuous runs, accent lights are placed every 8 feet. Consult Factory for alternative placement. Fixture must be a minimum of 4 feet.