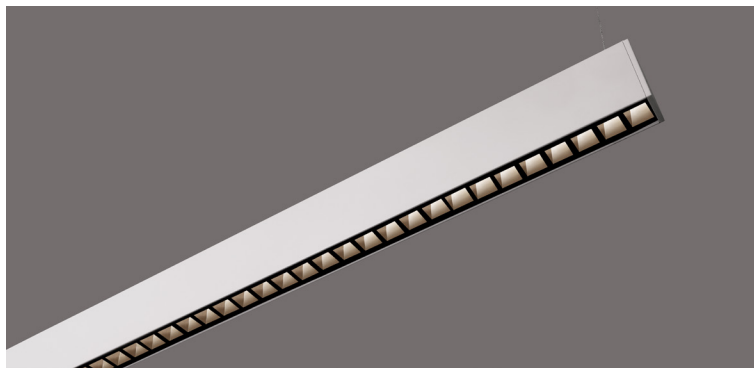


DATE _____ PROJECT _____ FIRM _____ TYPE _____



Architectural luminaire with very low profile using a specially designed reflector optic to shield and control beam spread. Custom outputs and colors available.

FEATURES

- Optional 'Power Over Wire' System
- Available In Custom Lengths & Long Runs (to the nearest 4" increment)
- Corners & Patterns Available (Consult Factory)
- 100% Downlight
- Damp Location Rated
- CRI 90+ Standard
- 5 Year Fixture Warranty
- 2700K, 3000K, 3500K, and 4000K Color Temperatures Available
- Rated Life- 100,000 hours at L70; 50,000 hours at L90

APPLICATIONS Offices, Reception Areas, Retail, Video Conferences & Corridors

CONSTRUCTION Extruded Aluminum Housing With Die Cast Aluminum End Caps | **OPTICS** Custom, Injection-Molded Reflector Optic. Available in Wide or Narrow Beam Configurations. Optional White or Black.

WARRANTY 5 Year Limited Warranty (Covers Standard Components) | **FINISH** Standard Powder-Coated White or Black. Custom RAL Colors Available

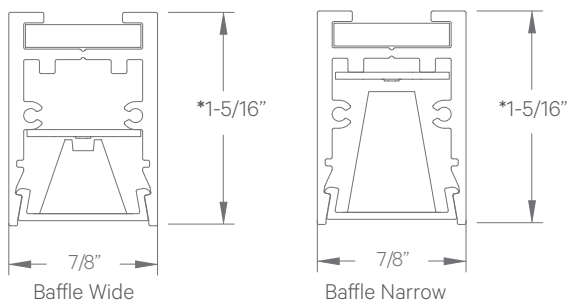
FIXTURE RATINGS & CERTIFICATIONS Union Made Made In The USA ETL Listed Damp Location Rated



ELECTRICAL 0-10V Remote Driver with 10% Dimming. Optional 'Power Over Wire' Eliminates Power Feed Cord by Combining the Aircraft Cable and Power Feed. 0-10 1% Dimming Driver also available.

- 2-Wire Forward Phase; Hi-Lume 1% Dimming, Only Available For 120V LTEA
- 3-Wire EcoSystem; Hi-lume 1% Dimming L3DA
- Digital EcoSystem; Hi-lume 1% Dimming, 'Soft-on Fade-to-black' (Required for Daylighting) LDE1
- 5 Series EcoSystem; 5% Dimming LDE5

EXTRUSION DIMENSIONS



LED SYSTEM INFORMATION

	Nominal System Watts	Nominal Delivered Lumens
Standard (LTG1)	5.25 W/ft	475 Lm/ft
Low (LTG2)	3.5 W/ft	350 Lm/ft
High (LTG3)	7.25 W/ft	720 Lm/ft

Based on a 3500K luminaire using one driver and 'BWW' option. Please consult factory for custom lumen outputs & wattage.

*Please Note: Fixture depth is 1-3/4" when using 'ACP' Option

ORDERING



- 1 - FIXTURE ID**
KUSH LED SHARP
- 2 - LENGTH**
4 - 4 ft
8 - 8 ft
x'-x" - Custom (specify length to nearest 4")
- 3 - COLOR TEMP**
27 - 2700K/90 CRI
30 - 3000K/90 CRI
35 - 3500K/90 CRI
40 - 4000K/90 CRI
- 4 - LED SYSTEM**
LTG1 - Standard
LTG2 - Low
LTG3 - High
C - Custom Output (ie-C3500Lm)
- 5 - VOLTAGE**
UNV - Universal (120/277V)
- 6 - DRIVER**
DB - Standard 10% Dimming (0-10V)
DB1% - 1% Dimming (0-10V)
DB.01% - .01% Dimming (0-10V)
LTEA* - Lutron 2-wire 1% Dimming
L3DA* - Lutron 3-wire 1% Dimming
LDE1* - Lutron Digital EcoSystem
LDE5* - 5 Series EcoSystem; 5% Dimming

*Refer to 'Electrical' Information Above

- 7 - FINISH**
W - White (Standard)
BLK - Black
CC - Custom Color (provide RAL#)
- 8 - MOUNTING**
AC - Air Craft Cable (50")
SM - Surface Mount
ACP - Power Over Aircraft Cable
- 9 - OPTICS**
BNB - Baffle Narrow - Black
BWB - Baffle Wide - Black
BNW - Baffle Narrow - White
BWW - Baffle Wide - White
- 10 - OPTIONS**
EM 120V - Emergency Pack (Remote)
EM 277V - Emergency Pack (Remote)

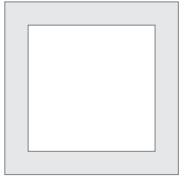
www.spec kaylighting.com | 646.837.9000 | quotes@kaylighting.com

December 2018

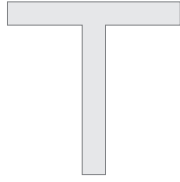
DATE	PROJECT	FIRM	TYPE
------	---------	------	------

CORNERS & PATTERNS

Available with 90° corners; **must consult factory.**



Square Patterns



T Patterns

ACP- 'Power Over Air Craft Cable' Option:

*PLEASE NOTE: EXTRUSION IS 1-3/4" TALL WHEN USING ACP OPTION

