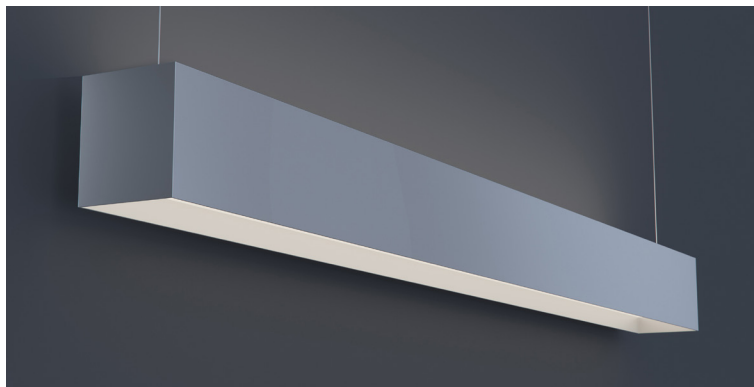


DATE	PROJECT	FIRM	TYPE
------	---------	------	------



Direct and indirect, architectural luminaire. For use in indoor applications where an LED luminaire providing continuous light is required. Suitable for suspended and wall mount installation.

FEATURES

- Available In Custom Lengths & Long Runs To 1/16" Accuracy
- Corners & Patterns Available (See Page 2)
- Damp Location Rated
- CRI 90+ Standard
- 5 Year, 50,000 Hour Fixture Warranty
- 2700K, 3000K, 3500K, 4000K & 5000K Color Temperatures Available
- Enlighted/Wattstopper Sensors Available

APPLICATIONS Offices, Lobbies, Retail Stores, Classrooms, Reception Areas & Corridors

CONSTRUCTION Extruded Aluminum Housing And Cast End Caps. Formed Steel Gear Tray | **OPTICS** Extruded High Transmission Satin Acrylic Lens With No LED Imaging. Additional Optics Available

WARRANTY 5 Year Limited Warranty (Covers Standard Components) | **FINISH** Standard Powder-Coated White. Custom RAL Colors Available

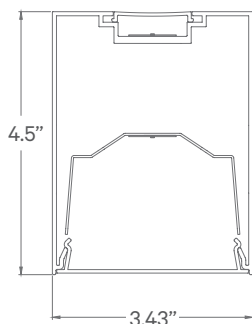
FIXTURE RATINGS & CERTIFICATIONS Union Made ETL Listed | Made In The USA Damp Location Rated



ELECTRICAL Integral Driver With 0-10V 10% Dimming Standard. Several Driver Options Available. See Below For Lutron Dimming Information

2-Wire Forward Phase; Hi-Lume 1% Dimming, Only Available For 120V	LTEA
3-Wire EcoSystem; Hi-lume 1% Dimming	L3DA
Digital EcoSystem; Hi-lume 1% Dimming, 'Soft-on Fade-to-black' (Required for Daylighting)	LDE1
5 Series EcoSystem; 5% Dimming	LDE5

EXTRUSION DIMENSIONS



LED SYSTEM INFORMATION

	Nominal System Watts		Nominal Delivered Lumens		Nominal Efficacy
	DIRECT	INDIRECT	DIRECT	INDIRECT	
Standard (LTG1)	7.25 W/ft	7.25 W/ft	605 Lm/ft	700 Lm/ft	90 Lm/W
Low (LTG2)	5 W/ft	5 W/ft	420 Lm/ft	505 Lm/ft	93 Lm/W
High (LTG3)	8.75 W/ft	8.75 W/ft	700 Lm/ft	825 Lm/ft	85 Lm/W

Based on a 3500K luminaire using one driver. Please consult factory for custom lumen outputs & wattage.

ORDERING

1	2	IN - 3-INDIRECT	D - 3-DIRECT	4	5	6	7	8	IN - 9-INDIRECT	D - 9-DIRECT	10	11
---	---	-----------------	--------------	---	---	---	---	---	-----------------	--------------	----	----

<p>1 - FIXTURE ID KLS4 LED UPDN</p>	<p>2 - LENGTH 2 - 2 ft 4 - 4 ft 8 - 8 ft x'-x" - Custom (specify length) **Patterns available, consult factory</p>	<p>3 - LED SYSTEM IN - INDIRECT LTG1 - Standard LTG2 - Low LTG3 - High C - Custom Output (ie-C550Lm/ft)</p>	<p>D - DIRECT LTG1 - Standard LTG2 - Low LTG3 - High C - Custom Output (ie-C550Lm/ft)</p>	<p>4 - COLOR TEMP 27 - 2700K/90 CRI 30 - 3000K/90 CRI 35 - 3500K/90 CRI 40 - 4000K/90 CRI 50 - 5000K/90 CRI TW* - Tunable White RGBW* - RGB + 3000K *Must use DMX Driver (Remote)</p>	<p>5 - VOLTAGE UNV - Universal (120/277V)</p>	<p>6 - DRIVER DB - Standard 10% Dimming (0-10V) DB1% - 1% Dimming (0-10V) DB.01% - .01% Dimming (0-10V) LTEA* - Lutron 2-wire 1% Dimming L3DA* - Lutron 3-wire 1% Dimming LDE1* - Lutron Digital EcoSystem LDE5* - 5 Series EcoSystem; 5% Dimming DMX - For Color Tuning and RGBW *Refer to 'Electrical' Information Above</p>
<p>7 - FINISH W - White (Standard) BLK - Black CC - Custom Color (provide RAL#)</p>	<p>8 - MOUNTING AC - Air Craft Cable (50") WM - Wall Mount</p>	<p>9 - OPTICS IN - INDIRECT SD - Standard Diffuser BW - Batwing Optic</p>	<p>D - DIRECT SD - Standard Diffuser BW - Batwing Optic</p>	<p>10 - CONTROL NC - No Control (Standard) EIS - Integral Sensor by Enlighted WIS - Integral Sensor by Wattstopper</p>	<p>11 - OPTIONS SC - Separate Circuit EM 120V - Emergency Pack EM 277V - Emergency Pack</p>	

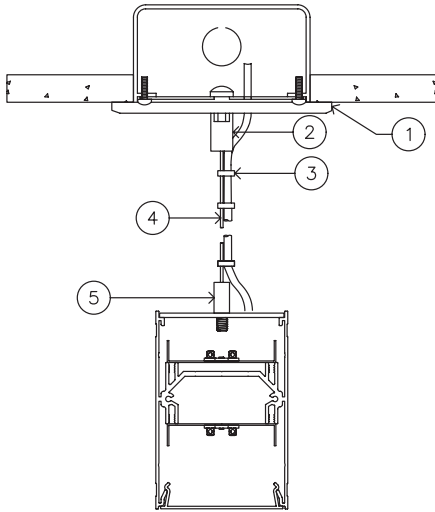
www.speckaylighting.com | 646.837.9000 | quotes@kaylighting.com

December 2018

DATE | PROJECT | FIRM | TYPE

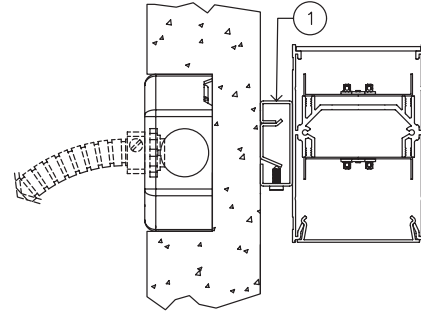
MOUNTING OPTIONS

AC - Air Craft Cable (50")



- 1 - 5" Round Canopy (Standard White Finish)
- 2 - Canopy Retainer
- 3 - SJT Cord (Standard White)
- 4 - Air Craft Cable
- 5 - Gripper
- 6 - Hanging Bracket

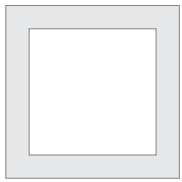
WM - Wall Mount



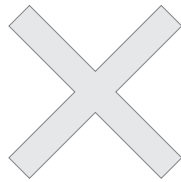
- 1 - 0.75" Wall Mount Bracket

CORNERS & PATTERNS

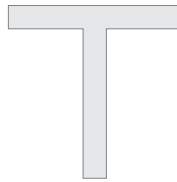
Available with illuminated corners, angles, and custom patterns. **Must consult factory for custom corners and patterns.**



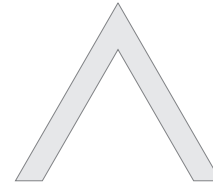
Square Patterns



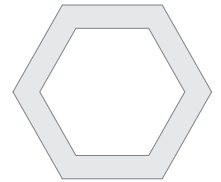
X Patterns



T Patterns



Custom Angles

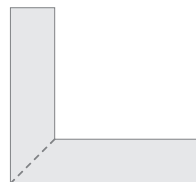


Custom Patterns

LENS CUT OPTIONS



Straight-cut



Mitered Angle

NOTE: Straight-Cut is standard configuration, Mitered Angle is optional and must be specified.