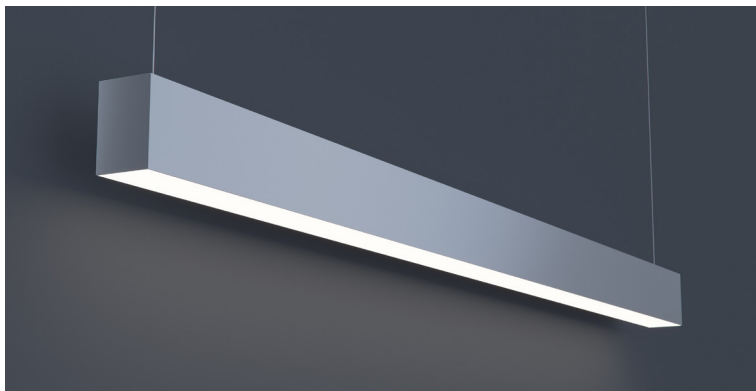


DATE	PROJECT	FIRM	TYPE
------	---------	------	------



Linear luminaire with small profile providing continuous light. For indoor applications. Suspended, surface or wall mount installation. For custom mounting consult factory.

FEATURES

- Available In Custom Lengths & Long Runs To 1/16" Accuracy
- Corners & Patterns Available (See Page 2)
- Damp Location Rated
- CRI 90+ Standard
- 5 Year, 50,000 Hour Fixture Warranty
- 2700K, 3000K, 3500K, 4000K & 5000K Color Temperatures Available
- Enlighted/Wattstopper Sensors Available

APPLICATIONS Offices, Lobbies, Retail Stores, Classrooms, Reception Areas & Corridors

CONSTRUCTION Extruded Aluminum Housing with Die Cast Ends. Formed Steel Gear Tray

OPTICS Extruded High Transmission Satin Acrylic Lens With No LED Imaging. Additional Optics Available.

WARRANTY 5 Year Limited Warranty (Covers Standard Components)

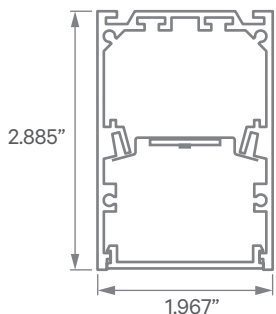
FINISH Standard Powder-Coated White. Custom RAL Colors Available

FIXTURE RATINGS & CERTIFICATIONS Union Made ETL Listed Made In The USA Damp Location Rated



ELECTRICAL Integral Driver With 0-10V 10% Dimming Standard. Several Driver Options Available. See Below For Lutron Dimming Information

EXTRUSION DIMENSIONS



LED SYSTEM INFORMATION

	System Watts	Delivered Lumens	Efficacy
Standard (LTG1)	7.25 W/ft	475 Lm/ft	80 Lm/W
Low (LTG2)	5 W/ft	355 Lm/ft	82 Lm/W
High (LTG3)	10 W/ft	641 Lm/ft	77 Lm/W

Based on a 3500K luminaire using one driver. Please consult factory for custom lumen outputs & wattage.

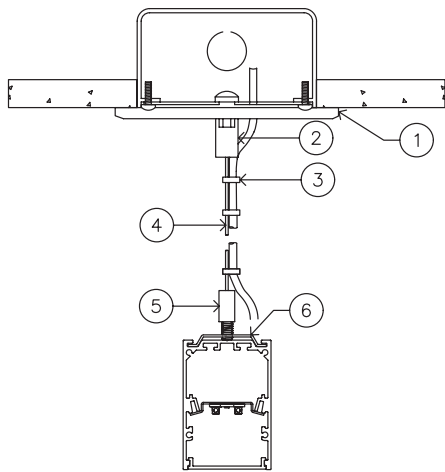


<p>1 - FIXTURE ID</p> <p>KLS1 LED</p>	<p>2 - LENGTH</p> <p>2 - 2 ft 4 - 4 ft 8 - 8 ft x'-x" - Custom (specify length)</p> <p>**Patterns available, consult factory</p>	<p>3 - COLOR TEMP</p> <p>27 - 2700K/90 CRI 30 - 3000K/90 CRI 35 - 3500K/90 CRI 40 - 4000K/90 CRI 50 - 5000K/90 CRI TW* - Tunable White RGBW* - RGB + 3000K</p> <p>*Must use DMX Driver (Remote)</p>	<p>4 - LED SYSTEM</p> <p>LTG1 - Standard LTG2 - Low LTG3 - High C - Custom Output (ie-C550Lm/ft)</p>	<p>5 - VOLTAGE</p> <p>UNV - Universal (120/277V)</p>	<p>6 - DRIVER</p> <p>DB - Standard 10% Dimming (0-10V) DB1% - 1% Dimming (0-10V) DB.01% - .01% Dimming (0-10V) LTEA* - Lutron 2-wire 1% Dimming L3DA* - Lutron 3-wire 1% Dimming LDE1* - Lutron Digital EcoSystem LDE5* - 5 Series EcoSystem; 5% Dimming DMX - For Color Tuning and RGBW</p>
<p>7 - FINISH</p> <p>W - White (Standard) BLK - Black CC - Custom Color (provide RAL#)</p>	<p>8 - MOUNTING</p> <p>AC - Air Craft Cable (50") SM - Surface Mount WM - Wall Mount</p>	<p>9 - OPTICS</p> <p>SD - Standard Diffuser BW - Batwing Optic ASYM - Asymmetric Optic</p>	<p>10 - CONTROL</p> <p>EIS - Integral Sensor by Enlighted WIS - Integral Sensor by Wattstopper</p>	<p>11 - CIRCUIT (Optional)</p> <p>EM 120V - Emergency Pack EM 277V - Emergency Pack</p>	

DATE | PROJECT | FIRM | TYPE

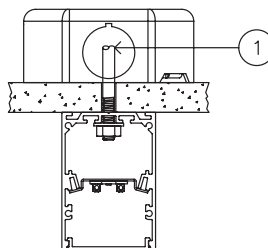
MOUNTING OPTIONS

AC - Air Craft Cable (50")



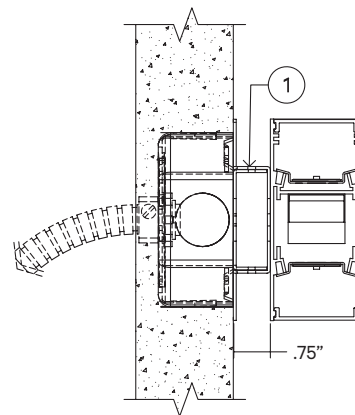
- 1 - 5" Round Canopy (Standard White Finish)
- 2 - Canopy Retainer
- 3 - SJT Cord (Standard White)
- 4 - Air Craft Cable
- 5 - Gripper
- 6 - Hanging Bracket

SM - Surface Mount



- 1 - Threaded Rod (not supplied)

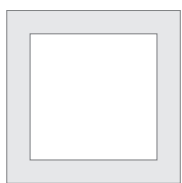
WM - Wall Mount



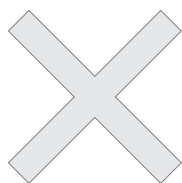
- 1 - 0.75" Wall Mount Bracket

CORNERS & PATTERNS

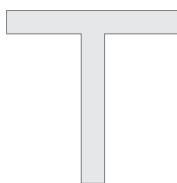
Available with illuminated corners, angles, and custom patterns. **Must consult factory for custom corners, patterns and elevations.**



Square Patterns



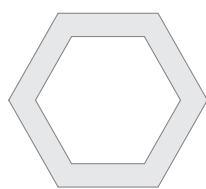
X Patterns



T Patterns



Custom Angles



Custom Patterns



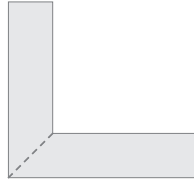
Custom Elevations

DATE	PROJECT	FIRM	TYPE
------	---------	------	------

LENS CUT OPTIONS



Straight-cut



Mitered Angle

NOTE: Straight-Cut is standard configuration, Mitered Angle is optional and must be specified.