

DATE	PROJECT	FIRM	TYPE
------	---------	------	------



Narrow, linear luminaire with direct and indirect lighting. For use in indoor applications requiring a small profile LED luminaire that provides continuous light. Suitable for suspended or wall mount installation.

FEATURES

- Direct/Indirect Lighting
- Available In Custom Lengths & Long Runs To 1/16" Accuracy
- Corners & Patterns Available (See Page 2)
- Damp Location Rated
- CRI 90+ Standard
- 5 Year, 50,000 Hour Fixture Warranty
- 2700K, 3000K, 3500K, 4000K & 5000K Color Temperatures Available
- Enlighted/Wattstopper Sensors Available

APPLICATIONS Offices, Lobbies, Retail Stores, Classrooms, Reception Areas & Corridors

CONSTRUCTION Extruded Aluminum Housing with Die Cast Ends. Formed Steel Gear Tray

OPTICS Extruded High Transmission Satin Acrylic Lens With No LED Imaging (D), Clear Dust Cover (IN). Additional Optics Available

WARRANTY 5 Year Limited Warranty (Covers Standard Components)

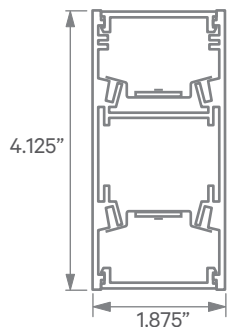
FINISH Standard Powder-Coated White. Custom RAL Colors Available

FIXTURE RATINGS & CERTIFICATIONS Union Made ETL Listed Made In The USA Damp Location Rated



ELECTRICAL Integral Driver With 0-10V 10% Dimming Standard. Several Driver Options Available. See Below For Lutron Dimming Information

EXTRUSION DIMENSIONS



LED SYSTEM INFORMATION

	Nominal System Watts		Nominal Delivered Lumens		Nominal Efficacy
	DIRECT	INDIRECT	DIRECT	INDIRECT	
Standard (LTG1)	7 W/ft	7 W/ft	585 Lm/ft	515 Lm/ft	83 Lm/W
Low (LTG2)	5 W/ft	5 W/ft	430 Lm/ft	380 Lm/ft	83 Lm/W
High (LTG3)	9.5 W/ft	9.5 W/ft	775 Lm/ft	700 Lm/ft	78 Lm/W

Based on a 3500K luminaire using one driver. Please consult factory for custom lumen outputs & wattage.

ORDERING

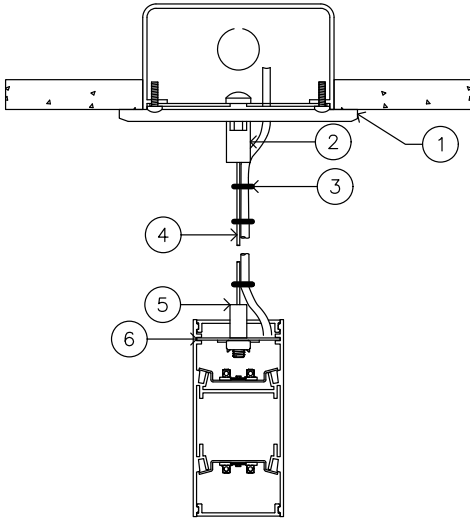
1 - FIXTURE ID KLS1 LED UPDN	2 - LENGTH 2 - 2 ft 4 - 4 ft 8 - 8 ft x'-x" - Custom (specify length) **Patterns available consult factory	3 - COLOR TEMP 27 - 2700K/90 CRI 30 - 3000K/90 CRI 35 - 3500K/90 CRI 40 - 4000K/90 CRI 50 - 5000K/90 CRI TW* - Tunable White RGBW* - RGB + 3000K *Must use DMX Driver (Remote)	4 - LED SYSTEM IN - INDIRECT LTG1 - Standard LTG2 - Low LTG3 - High C - Custom Output (ie- C550Lm/ft)	5 - VOLTAGE D - DIRECT LTG1 - Standard LTG2 - Low LTG3 - High C - Custom Output (ie- C550Lm/ft)	6 - DRIVER UNV - Universal (120/277V) DB - Standard 10% Dimming (0-10V) DB1% - 1% Dimming (0-10V) DB.01% - .01% Dimming (0-10V) LTEA - Lutron 2-wire 1% Dimming L3DA - Lutron 3-wire 1% Dimming LDE1 - Lutron Digital EcoSystem LDE5 - 5 Series EcoSystem; 5% Dimming DMX - For Color Tuning and RGBW
--	--	---	--	--	---

7 - FINISH W - White (Standard) BLK - Black CC - Custom Color (provide RAL#)	8 - MOUNTING AC - Aircraft Cable (50") WM - Wall Mount	9 - OPTICS IN - INDIRECT SD - Standard Diffuser BW - Batwing Optic ASYM - Asymmetric Optic	10 - CONTROL (Optional) D - DIRECT SD - Standard Diffuser BW - Batwing Optic ASYM - Asymmetric Optic	11 - CIRCUIT EIS - Integral Sensor by Enlighted WIS - Integral Sensor by Wattstopper	11 - CIRCUIT DC - Dual Circuit EM 120V - Emergency Pack EM 277V - Emergency Pack
--	---	---	---	---	--

DATE	PROJECT	FIRM	TYPE
------	---------	------	------

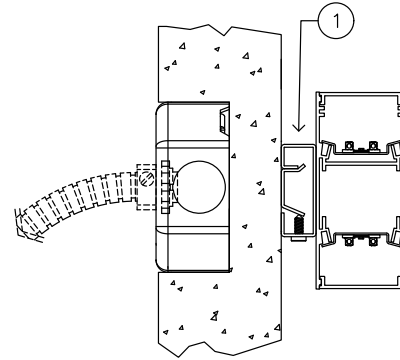
MOUNTING OPTIONS

AC - Air Craft Cable (50")



- 1 - 5" Round Canopy (Standard White Finish)
- 2 - Canopy Retainer
- 3 - S-JT Cord (Standard White)
- 4 - Air Craft Cable
- 5 - Gripper

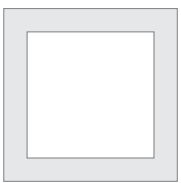
WM - Wall Mount



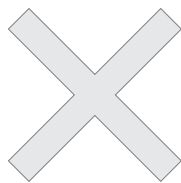
- 1 - 0.75" Wall Mount Bracket

CORNERS & PATTERNS

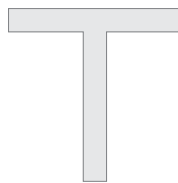
Available with illuminated corners, angles, and custom patterns. **Must consult factory for custom corners, patterns and elevations.**



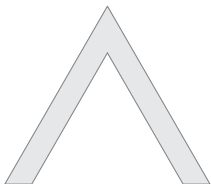
Square Patterns



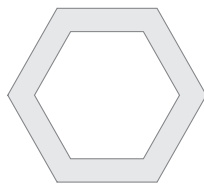
X Patterns



T Patterns



Custom Angles



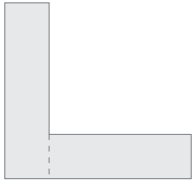
Custom Patterns



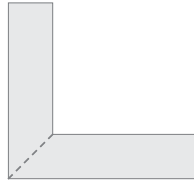
Custom Elevations

DATE	PROJECT	FIRM	TYPE
------	---------	------	------

LENS CUT OPTIONS



Straight-cut



Mitered Angle

NOTE: Straight-Cut is standard configuration, Mitered Angle is optional and must be specified.