



KLR305

Architectural Recessed 2X4 LED Volume Luminaire Ultra-Shallow Design

Fixture Type: _____

Job Information: _____

SPECIFICATIONS:

LED MODULES:

- High performance linear configured LED module boards.
- Each board consists of multiple mid-power, high efficacy LEDs in a precise layout eliminating the need for supplemental heat sinking.
- The boards produce an even and diffuse light which maximizes optical efficiency.
- Compatible with the dimming performance of the LED driver.
- Color temperatures available: 3000K, 3500K and 4000K.
- Upon request: 5000K.

LED DRIVERS:

- Factory programmable constant current LED power supply.
- Multiple standard drive current outputs (factory set by Mercury) are cataloged with their corresponding lumen package offerings. Upon request, custom drive current outputs and lumen packages are available.
- Note: Certain cataloged lumen packages may be provided with a non-programmable constant current LED power supply at Mercury's discretion. Contact factory if critical.
- Universal voltage input, 120V-277V, 50HZ-60HZ.
- Specification grade dimming down to 1% on 0-10V dimming controls.

LED LUMEN PACKAGES:

- Cataloged standard lumen packages. See attached chart for full details.
- Custom lumen packages pre-set are optional with programmable drivers only. Contact factory for details.

HOUSING:

- All metal parts are fabricated in a computer-controlled operation from heavy gauge code grade cold rolled steel.
- Rivets hold all parts together for strength and unity.
- A custom formulated non-glare white powder coating is applied to the housing after fabrication providing a reflectivity of at least 90%.
- Optional heat removal feature; a series of slots in the housing allows ambient room air/heat to be vented to the plenum.

DIFFUSER:

- Architecturally-squared profile design.
- Extruded from custom formulated high transmission acrylic material.
- Linear ribbing for high LED performance.

STANDBY LIGHTING OPTION:

- Self contained module, 7W, 10W or 12W as specified. Battery backup upon loss of power.
- May not be available with some higher lumen packages. See Lumen package matrix.

INSTALLATIONS:

- Designed for installation into NEMA Type G lay-in acoustical grid ceiling systems, 1" grid or 9/16" fine-line grid.
- For NEMA Type F dry wall applications an additional flange kit must be used with Type G housing.
- Four pry-out style grid support clips are located on the housing sides.
- Four auxiliary suspension points are also provided for securing to building structure.
- A quick wiring access plate is located on back of the housing. Additional knockouts provided.
- Factory installed power whips as specified.

CERTIFICATE OF SAFETY COMPLIANCE AND LISTINGS:

- Luminaire: UL and CUL listed 1598 and bears their label. Suitable for damp locations.
- Optional: Suitable for wet locations marking is available. Contact factory for all details.
- IC rated. (Some higher lumen packages may not qualify. See Lumen Package matrix).
- DesignLights Consortium (DLC) qualified product.
- Not all versions of this product may be DLC qualified. See Lumen Package matrix or check at www.designlights.org/QPL to confirm.

FEATURES:

- Ultra-shallow recessed 2X4 ambient LED luminaire featuring a single linear high transmission acrylic diffuser.
- Architecturally-squared diffuser envelopes the LED light source allowing maximum light transmission while eliminating pixilations and hot spots.
- Delivers a balanced amount of horizontal and vertical illumination.
- Digital LED technology provides high efficacy and energy efficiency.
- Multiple power and light levels are offered as standard to allow meeting design and energy needs per application. Custom factory set levels available on request.
- Lumen maintenance; Reported L70 (hours) & L80 (hours) > 60,000.
- CRI greater than 80.
- Fixture lumens per watt ratios up to 138.
- Optional heat removal feature allows ambient room air/heat to be vented to plenum.
- American Made.

KLR305 2X4

Fixture Type: _____

Job Information: _____

ORDERING DATA: Fill in boxes below with corresponding bold options.

Example: KLR305-24G-5700-35K-1%-UNI-EM7

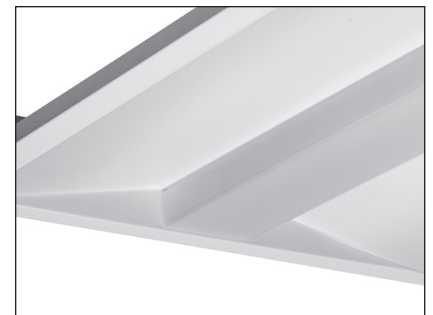
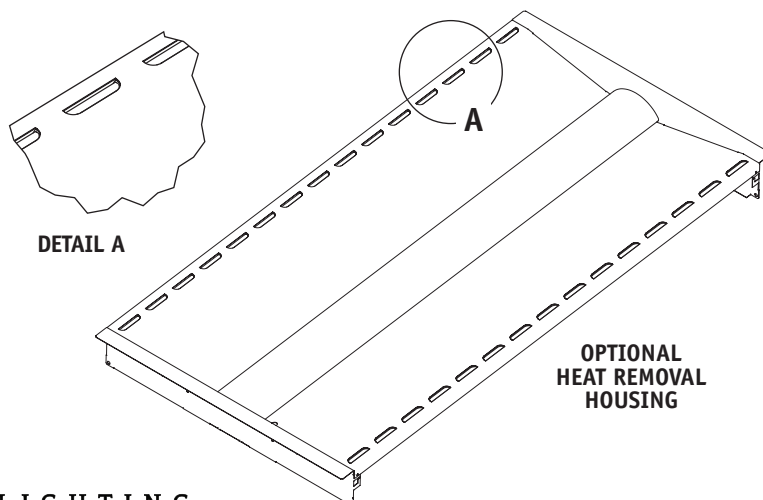
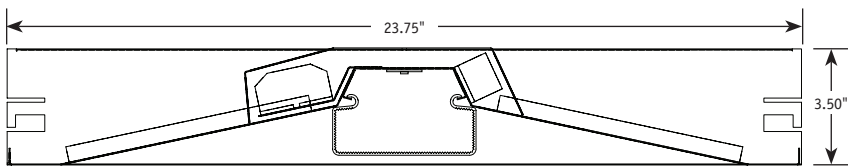
SERIES	MODULE SIZE/CEILING	NOMINAL LUMENS	COLOR TEMP	DRIVER	VOLTAGE	STANDBY LIGHTING OPTIONS	OPTIONS
KLR305	24G 2X4 Module/ Nema Type G/Lay-In Grid, 1" or 9/16" Fine Line.	2600 3200 3700 4000 4600 5000 5700 7800 11100 XXXX Custom Lumen Package. Contact Factory.	30K 35K 40K 50K Upon Request	1% 0-10V 1% Dimming _____ As Specified	UNI	EM7 EM10 EM12	FLX 6Ft. Single Circuit Power Flex (Specify Voltage) FLX2 6Ft. 2-Circuit Power Flex (Specify Voltage) WL UL "Suitable for Wet Locations" labeled. HR Heat Removal Housing

LUMEN PACKAGE

SERIES	MODULE SIZE	Nominal Lumen Package	Color	Fixture Power (W)	Delivered Lumens	Fixture LPW	IC Rated	Standby Lighting Option	DLC Listed
KLR305	2X4								
		2600	3000K	19	2475	128	✓	✓	-
		2600	3500K	19	2555	132	✓	✓	-
		2600	4000K	19	2605	135	✓	✓	-
		2600	5000K	19	2635	137	✓	✓	-
		3200	3000K	24	3091	129	✓	✓	✓
		3200	3500K	24	3191	134	✓	✓	✓
		3200	4000K	24	3254	136	✓	✓	✓
		3200	5000K	24	3291	138	✓	✓	✓
		3700	3000K	28	3526	124	✓	✓	✓
		3700	3500K	28	3640	128	✓	✓	✓
		3700	4000K	28	3712	131	✓	✓	✓
		3700	5000K	28	3755	132	✓	✓	✓
		4000	3000K	30	3788	124	✓	✓	✓
		4000	3500K	30	3910	128	✓	✓	✓
		4000	4000K	30	3988	130	✓	✓	✓
		4000	5000K	30	4034	132	✓	✓	✓
		4600	3000K	35	4328	123	✓	✓	✓
		4600	3500K	35	4468	127	✓	✓	✓
		4600	4000K	35	4557	130	✓	✓	✓
		4600	5000K	35	4610	131	✓	✓	✓
		5000	3000K	39	4701	122	✓	✓	✓
		5000	3500K	39	4854	126	✓	✓	✓
		5000	4000K	39	4950	129	✓	✓	✓
		5000	5000K	39	5009	130	✓	✓	✓
		5700	3000K	51	5485	107	✓	✓	✓
		5700	3500K	51	5600	110	✓	✓	✓
		5700	4000K	51	5743	112	✓	✓	✓
		5700	5000K	51	5770	113	✓	✓	✓
		7800	3000K	75	7523	100	✓	✓	✓
		7800	3500K	75	7680	101	✓	✓	✓
		7800	4000K	75	7877	104	✓	✓	✓
		7800	5000K	75	7917	105	✓	✓	✓
		11,100	3000K	102	10,630	104	-	-	✓
		11,100	3500K	102	10,962	107	-	-	✓
		11,100	4000K	102	11,184	109	-	-	✓
		11,100	5000K	102	11,294	110	-	-	✓

Actual wattage may differ by +/- 5% when operating between 120V-277V +/- 10%.

CROSS SECTIONS:



Detail