

KLOOP LED 4FT

Suspended, architectural LED 'ring' providing uplight and downlight. Great for lobbies and modern office spaces. Available suspended with cable/canopy up to 48". Custom colors available.



Features

- Glare-free lighting
- Custom Colors and Outputs Available
- Damp Location Rated
- CRI Value: 80+; available in 90+
- 5 year, 50,000 hour lamp life Warranty
- 3000k and 3500k color temperatures available

Applications

- Offices
- Lobbies
- Retail Stores
- Reception Areas
- Corridors

Details

Construction: Die formed and embossed, heavy gauge cold rolled steel housing. Spun steel trim.

Optics: Custom molded opal lens.

Electrical: Integral driver with dimming. Driver remote with 'FC' (flat canopy) option.

Warranty: 5 year limited warranty; covers standard components.

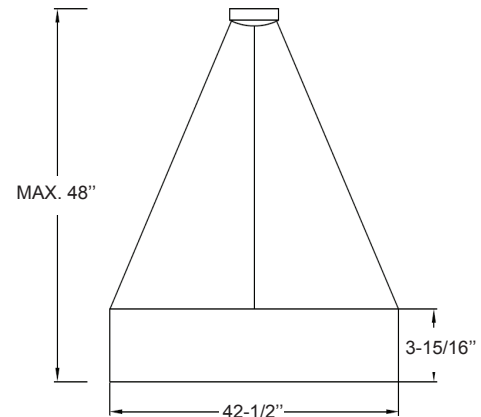
Approvals: Union made and ETL listed. Rated for Damp Location.

LED System Information

	Nominal System Watts	Nominal Delivered Lumens	Nominal Efficacy
Standard (LTG1)	40W	4,150Lm	95Lm/W
Low (LTG2)	36W	3,475Lm	95Lm/W
High (LTG3)	49W	4,550Lm	93Lm/W

Please Note: Standard CRI is 80+, must specify for requests over 90. Outputs reflected in chart based on 3500K color temperature. For custom LED package requests consult factory; wattages vary based on specified output. Additional photometric information available.

Extrusion Dimensions



Ordering Information

KLOOP LED Series	4FT	LED System	Color Temp	Voltage	AC Mounting	DB Driver	Options
	Size 4FT	LTG1- Standard LTG2- Low LTG3- High C- Custom Output (ie-C3500Lm)	3000K 3500K	120 277 UNV	AC- Air Craft Cable (adjusts up to 48")	DB- Standard 10% Dimming (0-10V)	EM-Emergency Pack (Driver remote) FC- Flat Canopy (Driver remote) 90CRI- CRI of 90+

Ordering Example: KLOOP LED-4FT-LTG1-4000K-UNV-AC-DB-EM