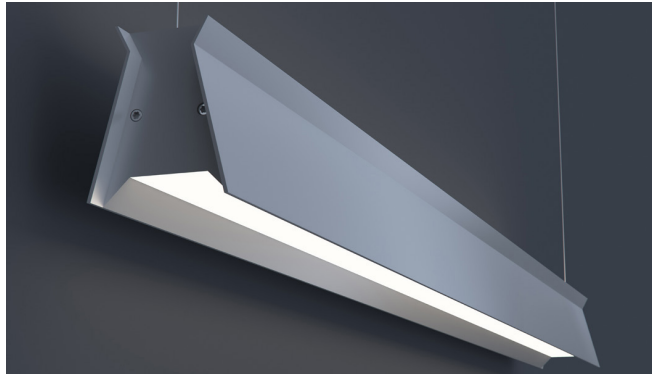


DATE	PROJECT	FIRM	TYPE
------	---------	------	------



Stylized architectural linear luminaire with direct and indirect lighting. Regressed lens in beveled aperture improves visual comfort and coordinates with square downlights. Perfect for open ceiling applications and architectural spaces.

FEATURES

- Direct/Indirect Lighting
- Available In Custom Lengths & Long Runs To 1/16" Accuracy
- Corners & Patterns Available (See Page 2)
- Damp Location Rated
- CRI 90+ Standard
- 2700K, 3000K, 3500K, 4000K & 5000K Color Temperatures Available
- Enlighted/Wattstopper Sensors Available

APPLICATIONS Offices, Lobbies, Retail Stores, Classrooms, Reception Areas & Corridors

CONSTRUCTION Extruded Aluminum Housing with Die Cast Ends. Formed Steel Gear Tray

OPTICS Extruded High Transmission Satin Acrylic Lens With No LED Imaging (D), Lightly Frosted Lens (IN).

WARRANTY 5 Year Limited Warranty (Covers Standard Components)

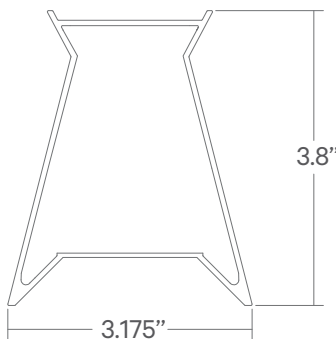
FINISH Standard Powder-Coated White. Custom RAL Colors Available

FIXTURE RATINGS & CERTIFICATIONS Union Made ETL Listed Made In The USA Damp Location Rated



ELECTRICAL Integral Driver With 0-10V 10% Dimming Standard. Several Driver Options Available.

EXTRUSION DIMENSIONS



LED SYSTEM INFORMATION

	Nominal System Watts		Nominal Delivered Lumens		Nominal Efficacy
	DIRECT	INDIRECT	DIRECT	INDIRECT	
Standard (LTG1)	6.5 W/ft	6.5 W/ft	610 Lm/ft	605 Lm/ft	93 Lm/W
Low (LTG2)	4.5 W/ft	4.5 W/ft	425 Lm/ft	420 Lm/ft	94 Lm/W
High (LTG3)	9 W/ft	9 W/ft	790Lm/ft	785 Lm/ft	88 Lm/W

Based on a 3500K luminaire using one driver. Please consult factory for custom lumen outputs & wattage.

ORDERING	1	2	3	4-IN	4-D	5	6	7	8	9	10	11
-----------------	---	---	---	------	-----	---	---	---	---	---	----	----

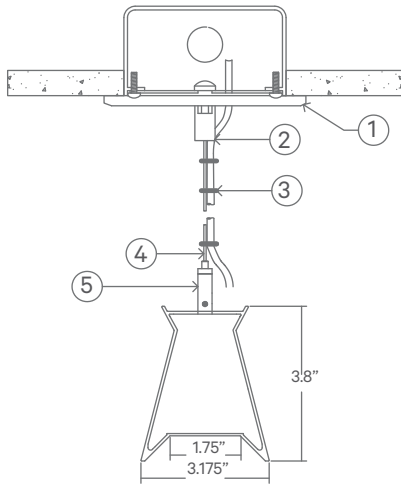
1 - FIXTURE ID KIER LED UP/DN	2 - LENGTH 2 - 2 ft 4 - 4 ft 8 - 8 ft x'-x" - Custom (specify length) <small>**Patterns available consult factory</small>	3 - COLOR TEMP 30 - 3000K/90 CRI 35 - 3500K/90 CRI 40 - 4000K/90 CRI 50 - 5000K/90 CRI TW* - Tunable White RGBW* - RGB + 3000K <small>*Must use DMX Driver (Remote)</small>	4 - LED SYSTEM IN - INDIRECT LTG1 - Standard LTG2 - Low LTG3 - High C - Custom Output (ie-C550Lm/ft)	5 - VOLTAGE D - DIRECT LTG1 - Standard LTG2 - Low LTG3 - High C - Custom Output (ie-C550Lm/ft)	6 - DRIVER UNV - Universal (120/277V) DB - Standard 10% Dimming (0-10V) DB1% - 1% Dimming (0-10V) DB.01% - .01% Dimming (0-10V) LTEA - Lutron 2-wire 1% Dimming L3DA - Lutron 3-wire 1% Dimming LDE1 - Lutron Digital EcoSystem LDE5 - 5 Series EcoSystem; 5% Dimming DMX - For Color Tuning and RGBW
---	---	---	--	--	---

7 - FINISH W - White (Standard) BLK - Black CC - Custom Color (provide RAL#)	8 - MOUNTING AC - Aircraft Cable (50")	9 - CONTROL (Optional) WIS-205 - Integral Daylight Sensor by Wattstopper WIS-505 - Integral Occupancy Sensor by Wattstopper EIS - Integral Sensor by Enlighted	10 - CIRCUIT (Optional) 1CKT - Single Circuit 2CKT - Two Circuit (Separate UP/DN) EM 120V - Emergency Pack EM 277V - Emergency Pack
--	--	--	--

DATE	PROJECT	FIRM	TYPE
------	---------	------	------

MOUNTING OPTIONS

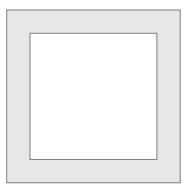
AC - Aircraft Cable (50")



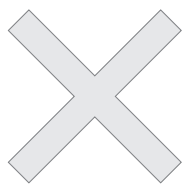
- 1 - 5" Round Canopy (Standard White Finish)
- 2 - Canopy Retainer
- 3 - S-JT Cord (Standard White)
- 4 - Aircraft Cable
- 5 - Gripper

CORNERS & PATTERNS

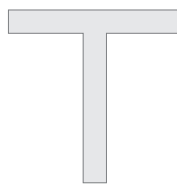
Available with illuminated corners, angles, and custom patterns. **Must consult factory for custom corners, patterns and elevations.**



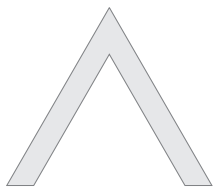
Square Patterns



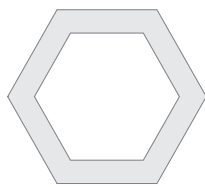
X Patterns



T Patterns



Custom Angles



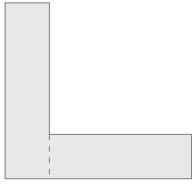
Custom Patterns



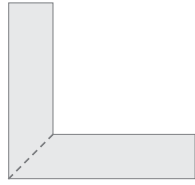
Custom Elevations

DATE	PROJECT	FIRM	TYPE
------	---------	------	------

LENS CUT OPTIONS



Straight-cut



Mitered Angle

NOTE: Straight-Cut is standard configuration, Mitered Angle is optional and must be specified.